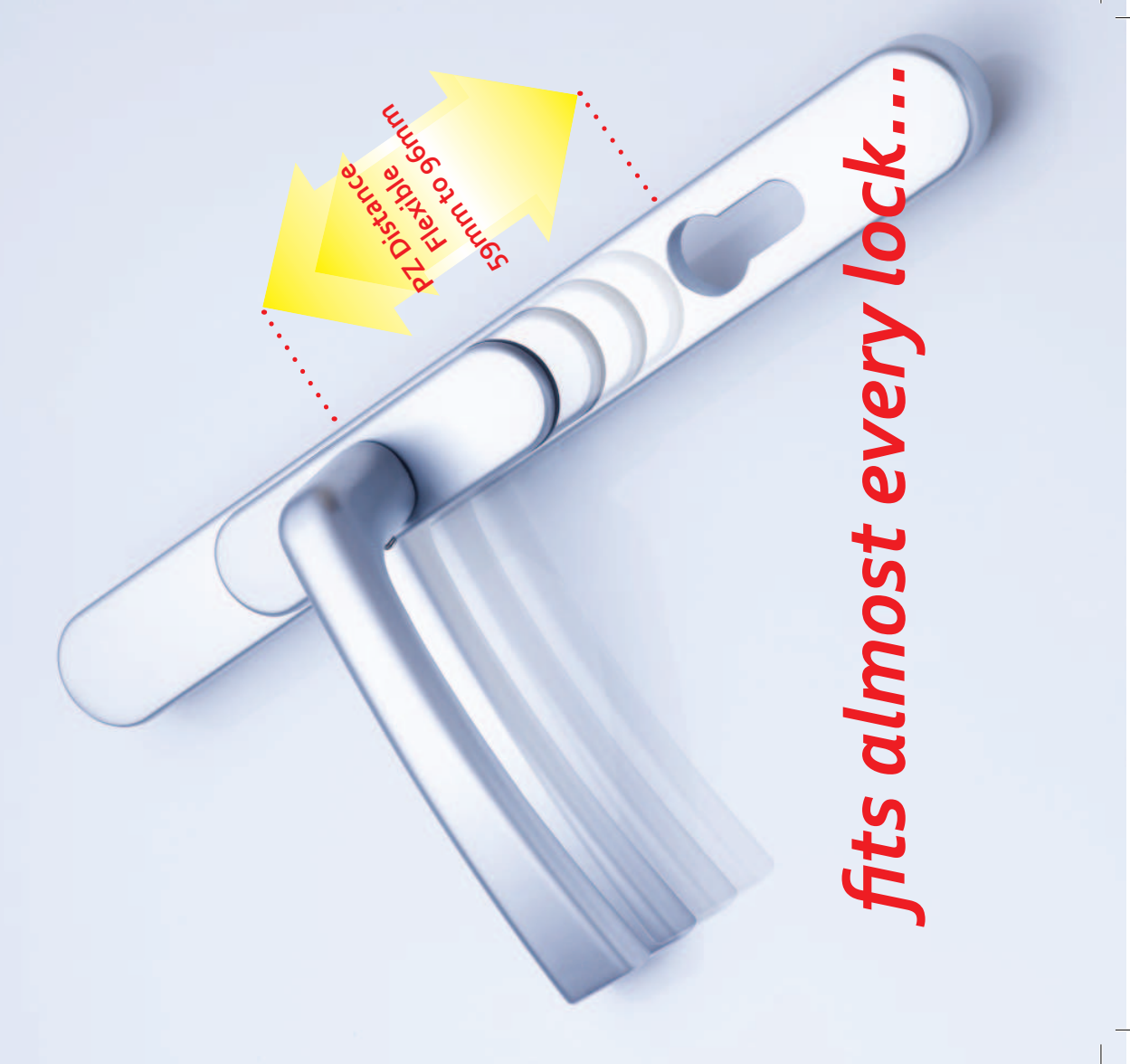


Making your life **EASY**

**WP**  
**Flexi-handle**  
everyday innovation



*fits almost every lock....*

# **WTP** Flexi-handle

everyday innovation

*making your life easier...*

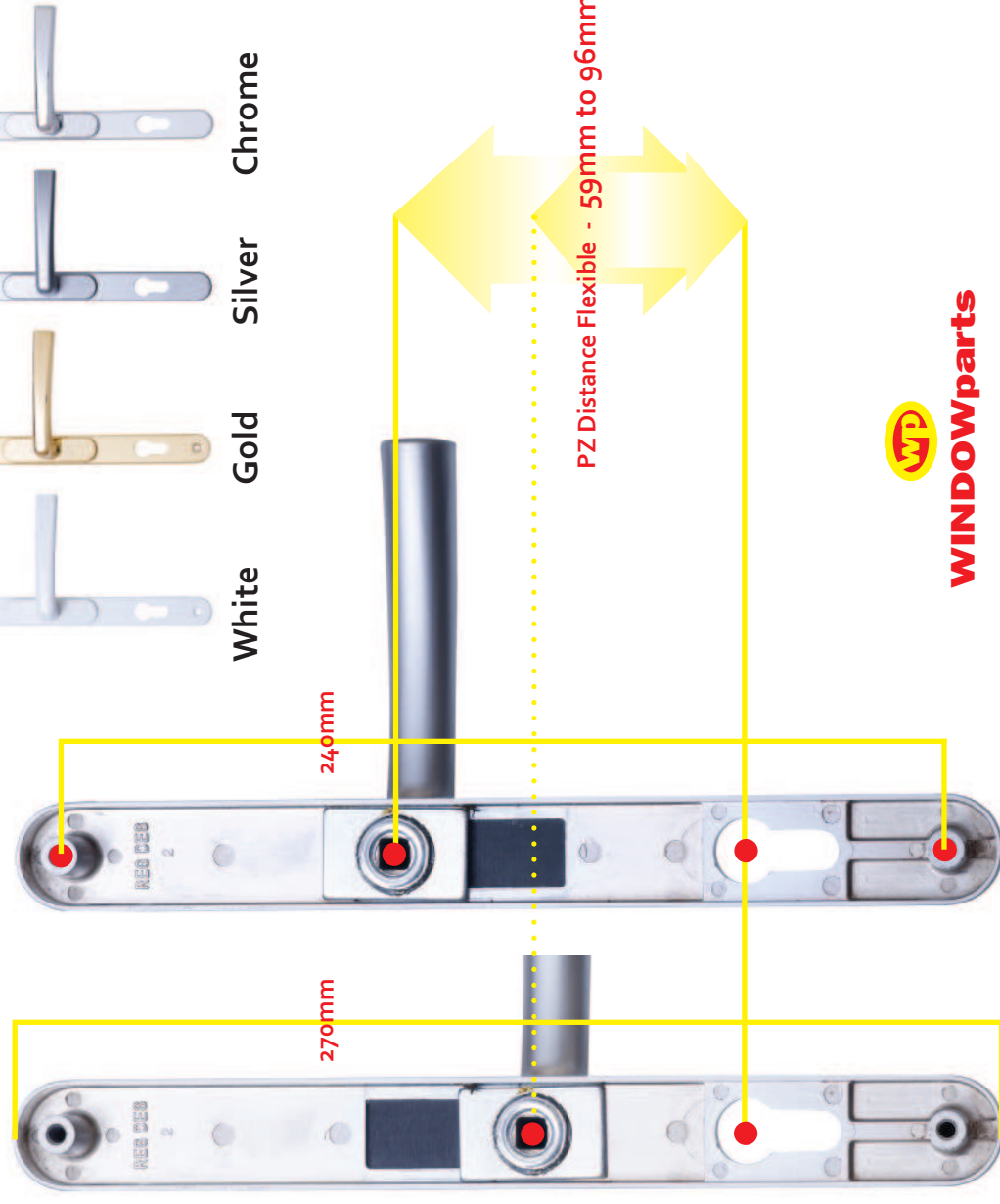
## Maintenance handles for Multipoint locks

There are hundreds of different door locks available. Finding the right size handle for your door is not always easy and can take many trips to and from your suppliers. This wastes time and money!

We are one of the UK's leading window - door - hardware specialists and we have created a unique door handle that will fit around 75% of multipoint door locks. *That's right - only one handle for all those doors!*

Our Flexi-handle is designed to make your life easier and **save you time and money.**

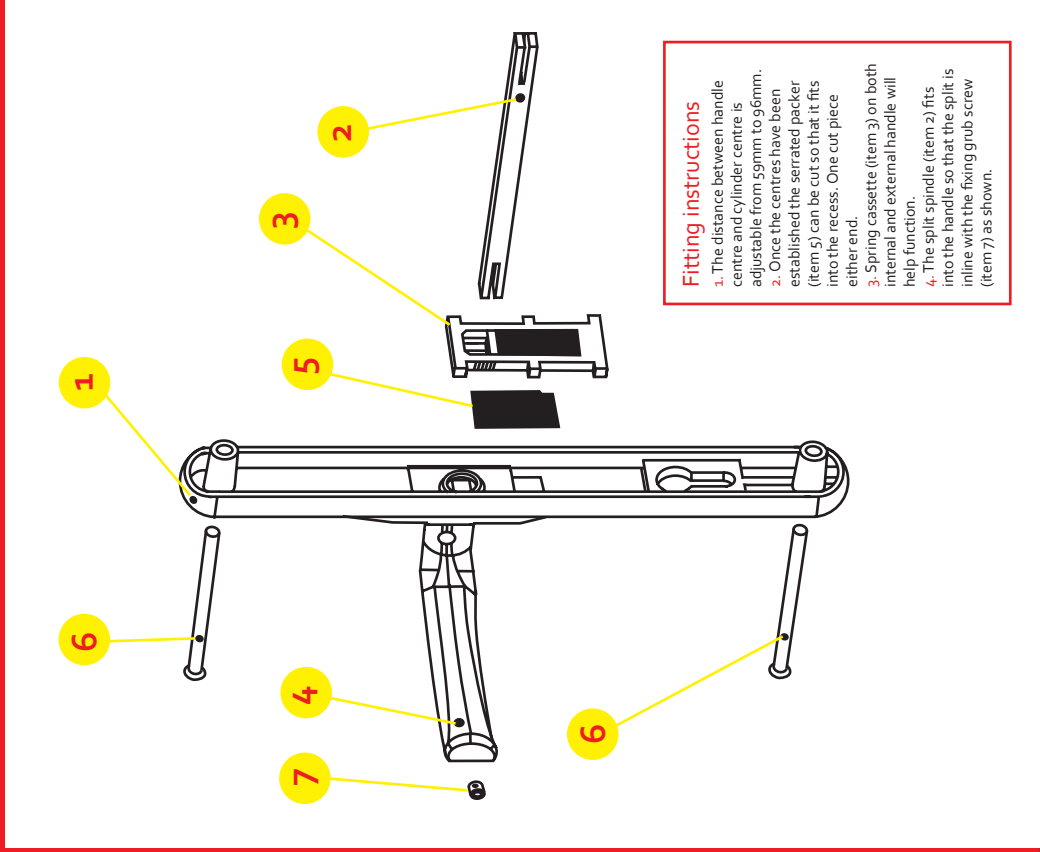
- **One handle designed to fit approx. 75% of Multipoint locks**
- **Sprung handle**
- **270mm long to cover any existing holes**
- **Will fit single spindle locks, split spindle locks and twin spindle locks**
- **Optional 7-8mm spindle conversion kit available**
- **Ideal for maintenance - only one handle needed for 'Van Stock'**
- **Available in White, Gold, Silver, and Chrome**



**WINDOWparts**

[www.windowparts.co.uk](http://www.windowparts.co.uk)

Email: [windowparts@gmail.com](mailto:windowparts@gmail.com)



**wpt**  
**Flexi-handle**  
everyday innovation